

These units accept 0-10Vdc input signal and control the voltage output to a fan motor. As the 0-10Vdc signal increases or decreases the motor speed operates respectively. Before selecting a control its compatibility must be ensured. Please read the Motor Selection Guide on a separate data sheet.

ERV..



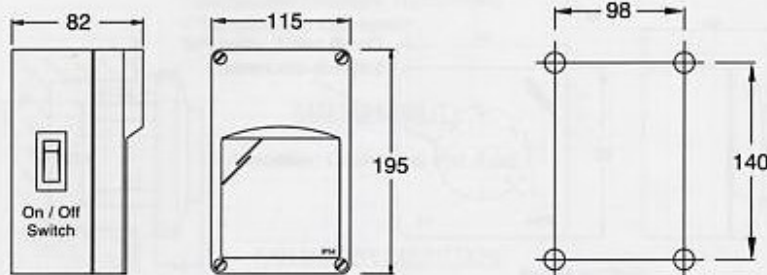
Suitable for 2 or 3 wire motors
Minimum Speed can be set via the internal trim potentiometer
Enclosure : Plastic
Unit can be switched on/off via the illuminated switch on the side
Start current can be 3 x nominal current.
Several motors can be connected at once as long as the speed control's maximum current is not exceeded. The maximum current is based on a maximum ambient temperature of 30 C.

Type	Nominal Current	Supply 50-60Hz	Fast Blow Fuse Type "F" Fitted	Input Signal	Start Sequence	Min Speed Adjustment	Mounting	Enclosure
ERV1	1.5A	230Vac	3A	0-10VDC	As input signal	Via internal pot	Wall	IP54
ERV3	3A	230Vac	3A	0-10VDC	As input signal	Via internal pot	Wall	IP54
ERV5	5A	230Vac	5A	0-10VDC	As input signal	Via internal pot	Wall	IP54
ERV10	10A	230Vac	14A	0-10VDC	As input signal	Via internal pot	Wall	IP54

The selected Speed Control's maximum current must be just larger than the nominal motor running current. When the input signal is cut, the unit reverts to the minimum speed set via the trim pot. Factory set at 100VAC. If the trim pot is set to 0, the fan speed will be zero.

DIMENSIONS:

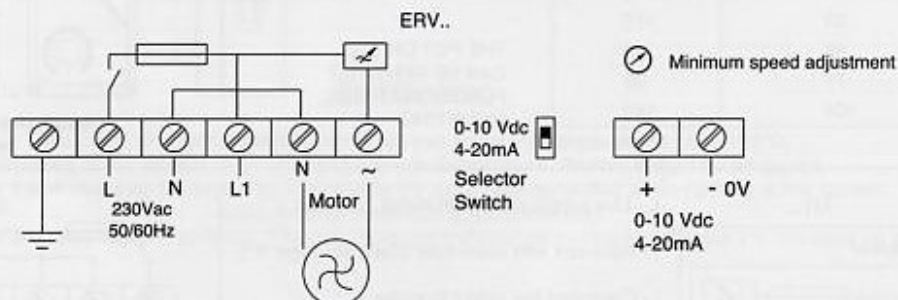
ERV....



	ERV3	ERV5	ERV10
WEIGHT(kg)	0.700	0.740	0.810

Drilling Data
Mount vertically to allow free ventilation around the unit

WIRING:



L - Live supply via On/ Off switch & fuse
L1 - Live supply bypassing the On/Off switch & fuse or it can be used as a supply for 3 wire motors.

All cables, isolators & external fuses etc must be fitted according to local regulations, safety & motor manufacturers requirements.
Min Sensor / control signal cable size 7/0.2mm Max length 100m. The screen should be earthed at control end only.
Keep sensor / control signal wires away from power cables/units which may cause interference. Screened cable is recommended.